

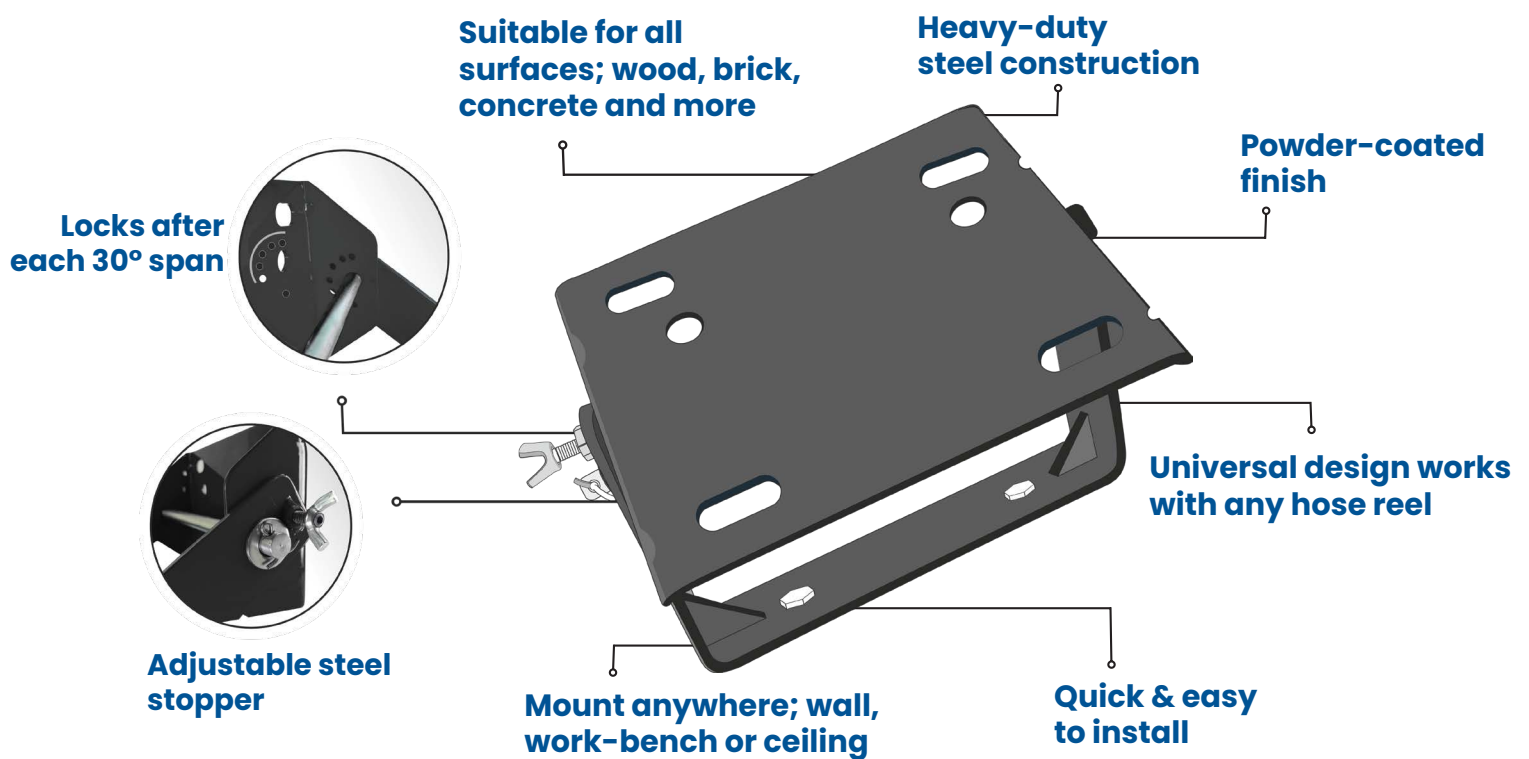


# Universal Hose Reel Swivel Mount

**1** Year  
Warranty

Upgrade your investment with BluBird Industries 180° Universal Hose Reel Swivel Mount. The all new 180° swivel mount's heavy duty steel construction is designed to withstand the toughest jobsites and machine shops. It is suitable for all surfaces including steel, wood, brick, and concrete. It is easy to install and provides full 180° motion. It is also universal and designed to be compatible with all brands and sizes of hose reels, from small to extra-large.

## Full Motion Swivel Mount 180° for All Hose Reels



**All weather flexible**

**30° Locks at different angles**

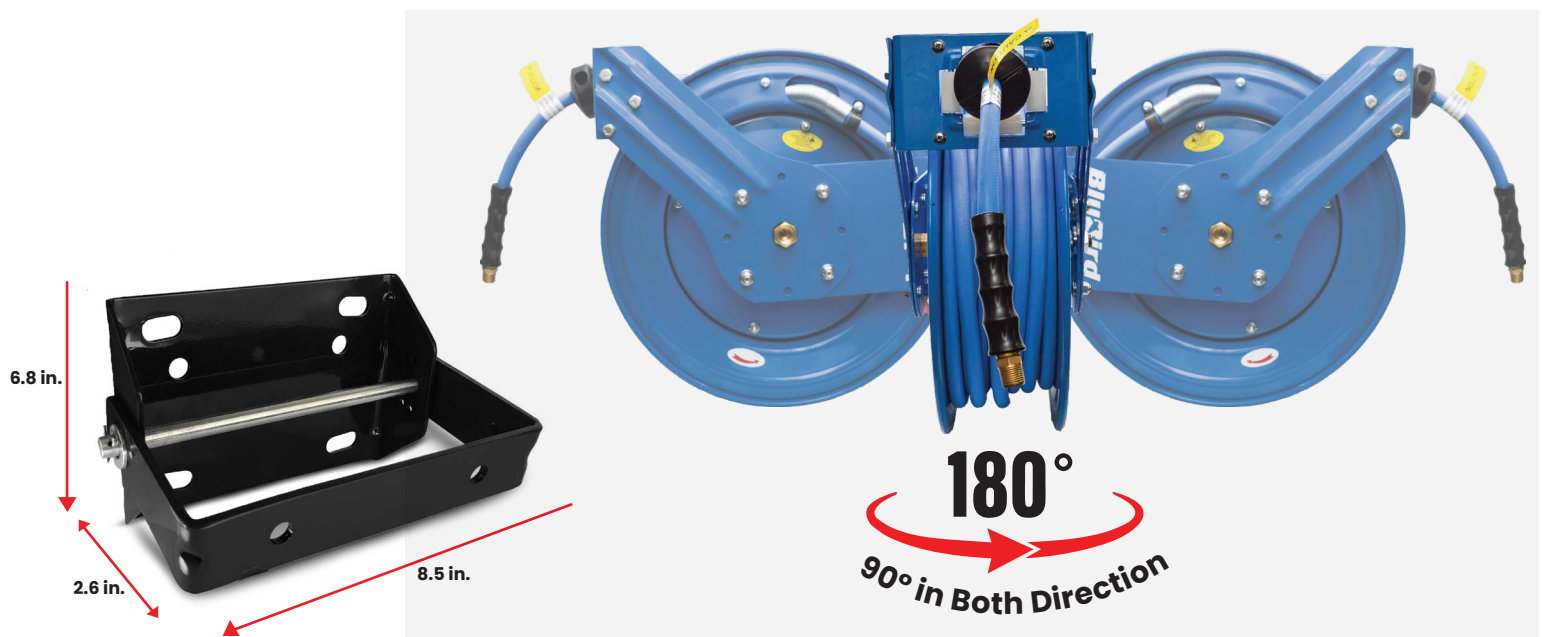




# Universal Hose Reel Swivel Mount

**1** Year  
Warranty

**Cut the Discomfort & Improve Your Productivity!**



- Moves hose reel up to 180° with full stretch in one direction
- Helps you use your hose reel at closer angles
- 180° Swivel movement from left to right
- Tilt your hose reel with just a light touch or use the integrated tilt lock-down feature to hold it in position

- Allows 90° movement in both directions
- Simple three-step installation
- Right-angle bendable to save space in highly congested work spaces
- Protect your hose reel investment with Integrated security fasteners to hold the mount in place

**Model#**

**SKU#**

**Description**

**Color**

HRS180

10012848

BluBird Steel Hose Reel Swivel Mount 180°

Black